

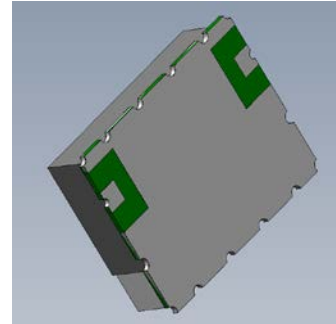
GPS 510-01

BSC Filters Limited
10-11 Stirling Park, Bleriot Way
Clifton Moor, York, YO30 4WU. UK
Telephone: +44 (0) 1904 694250
E-mail: sales@bscfilters.com
Web-site: www.bscfilters.com

GPS BANDPASS FILTER

BSC offer a wide range of high performance filters for GPS applications. The GPS 510 filter is a narrow band surface mount bandpass filter designed to work with GPS L5 frequencies. Suitable for reflow soldering this compact filter is designed to be integrated within a receiver module.

Passband:	1148 to 1204 MHz
Passband Insertion Loss:	3.2 dB max
Return Loss:	12 dB min
Rejection at 500 MHz:	50 dB min
1091 MHz:	40 dB min
1350 MHz:	20 dB min
2500 MHz:	30 dB min
Power Handling:	1 W CW max
Operating temperature:	-40 to 85°C
Maximum Reflow Temperature:	235°C
Connectors:	Surface Mount



Outline:

